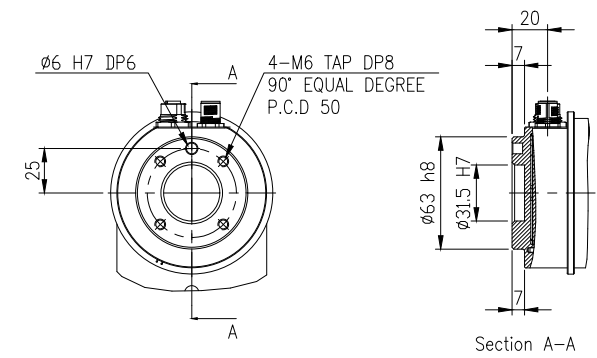
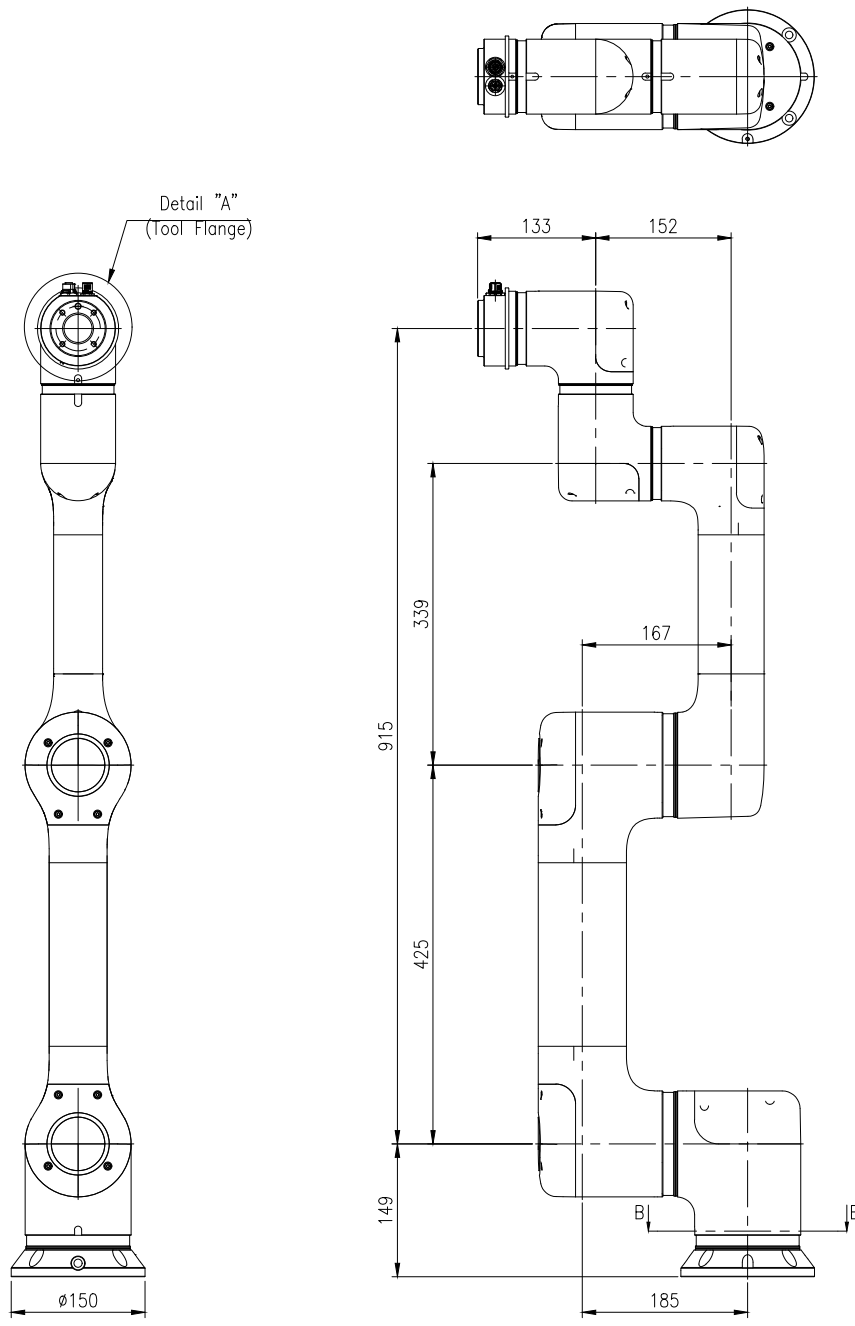
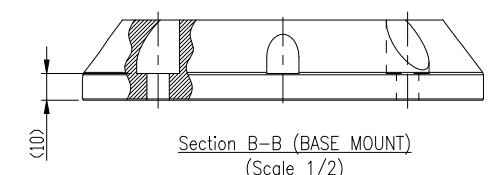
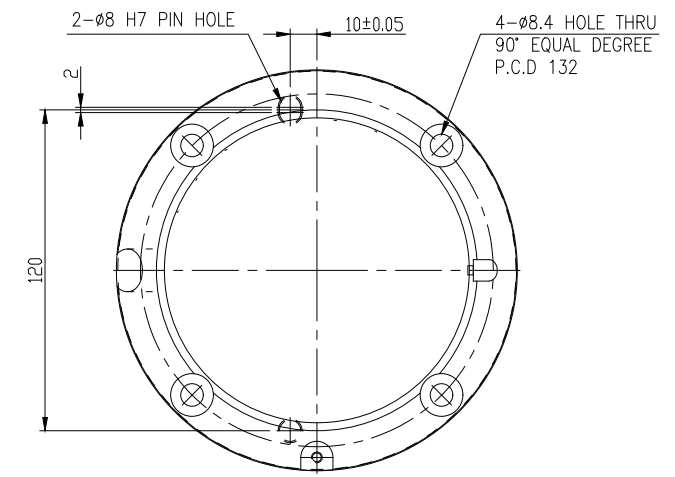


번	내	제	번	상	명	번	상	일	년	월	일	수	량	단	위	비	고	기	타	기	



Detail A (TOOL FLANGE)
(Scale 2/3)



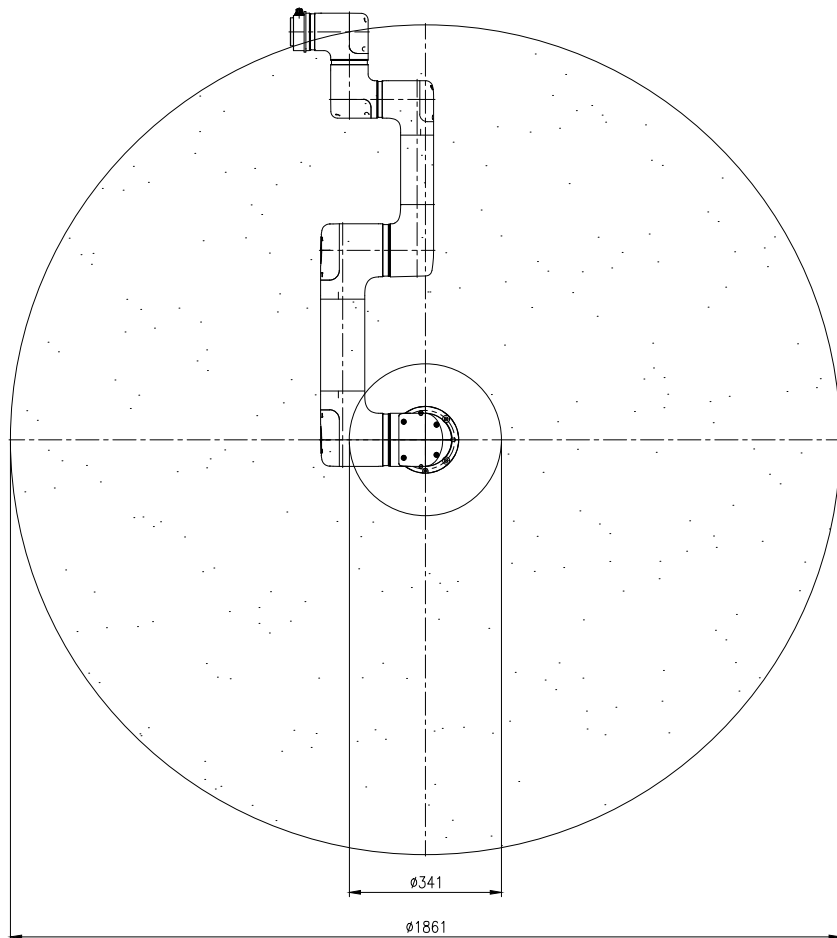
UNIT : mm

Hanwha Precision Machinery | Robotics

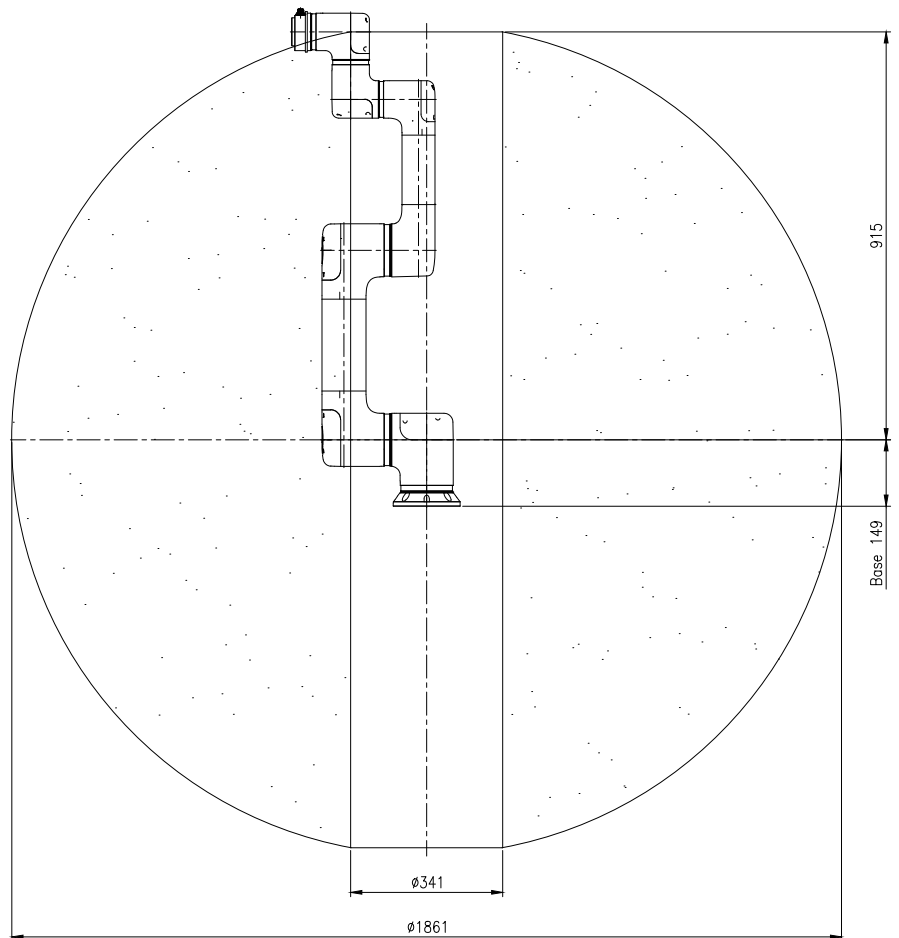
TEL : +82-70-7147-8888 WEB : robot_inquiry@hanwha.com			
TITLE	Body_HCR5_AREA_R00_2D		
RELEASED DATE	2019. 03. 27	Rev.	Sheet
DWG NO.	FC34-001236A	00	1/2

Unauthorized copying because it is Hanwha Precision Machinery Co., Ltd. owns, this article is strictly prohibited and open or to transfer to another person. A1(841X594)

번	내역	변경	사유	날짜	수정	승인



HCR-5 Working area, top view



HCR-5 Working area, side view

UNIT : mm

 Hanwha Precision Machinery | Robotics

TEL : +82-70-7147-8888 WEB : robot_inquiry@hanwha.com			
TITLE	Body_HCR5_AREA_R00_2D		
RELEASED DATE	2019. 03. 27	Rev.	Sheet
DWG NO.	FC34-001236A	00	2/2

Unauthorized copying because it is Hanwha Precision Machinery Co., Ltd. owns, this article is strictly prohibited and open or to transfer to another person. A1(841X594)